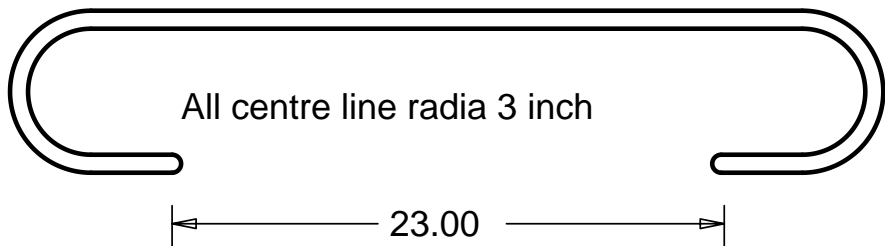
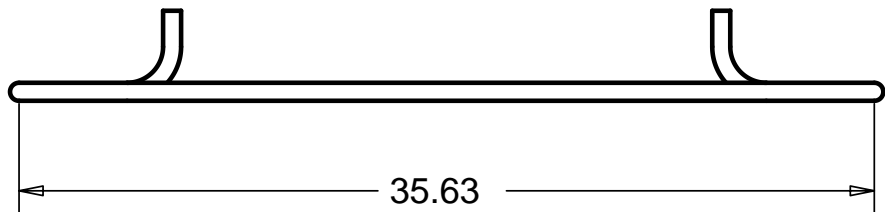


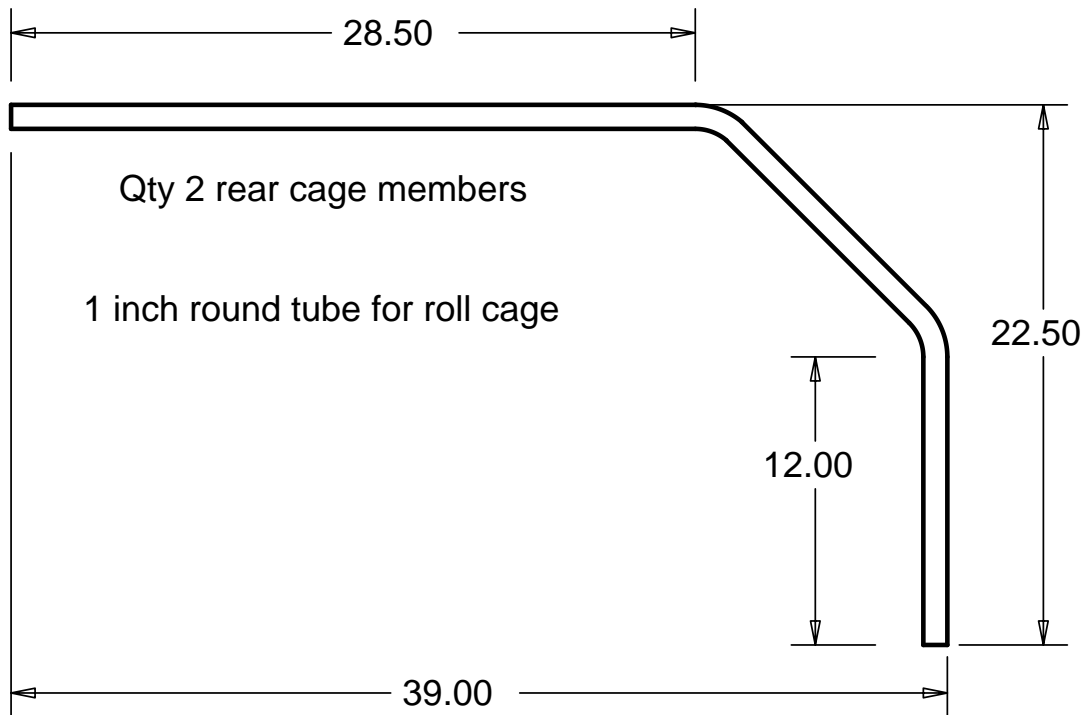
3/4 inch round tube



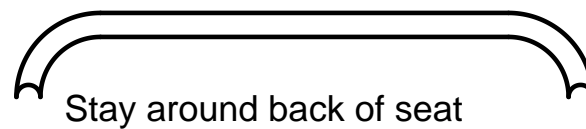
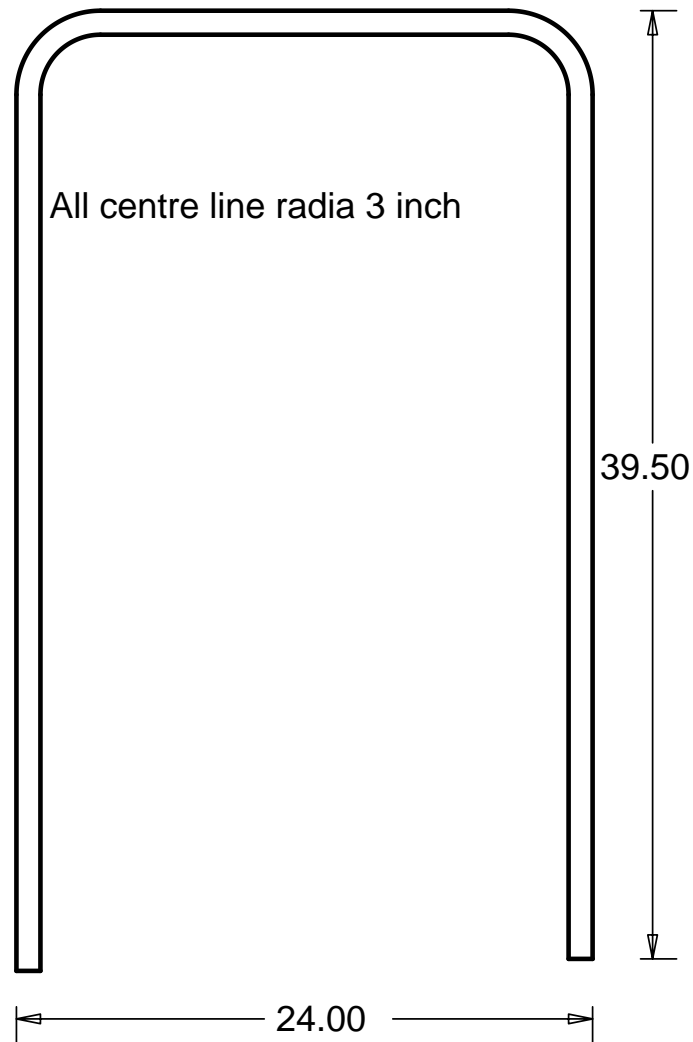
Ends flattened to fit in 1 inch square tube for front bumper



www.tamarisktechnical.co.uk



1 inch round tube for roll cage



1 inch round tube for roll cage